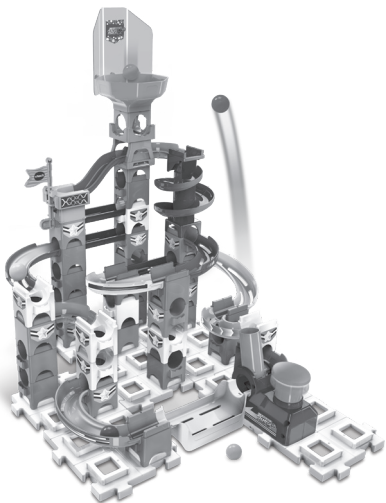


vtech®

Instruction Manual

**MARBLE  
RUSH™**

*Spiral City*



**VTech understands that a child's needs and abilities change as they grow and with that in mind we develop our toys to teach and entertain at just the right level...**

## **E**lectronic Learning Computers

**Cool, aspirational and inspiring computers for curriculum related learning**

## **vtech** Baby

**Toys that will stimulate their interest in different textures, sounds and colours**

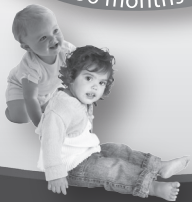
### **I am...**

...responding to colours, sounds and textures

...understanding cause and effect

...learning to touch, reach, grasp, sit-up, crawl and toddle

**Birth-36 months**



## **Pre-School**

**Interactive toys to develop their imagination and encourage language development**

### **I want...**

...to get ready for school by starting to learn the alphabet and counting

...my learning to be as fun, easy and exciting as can be

...to show my creativity with drawing and music so my whole brain develops

**3-6 years**



**4-10 years**

### **I need...**

...challenging activities that can keep pace with my growing mind

...intelligent technology that adapts to my level of learning

...National Curriculum based content to support what I'm learning at school



To learn more about this and other VTech® products, visit [www.vtech.co.uk](http://www.vtech.co.uk)

# INTRODUCTION

Thank you for purchasing the **Marble Rush™ Spiral City!**

Get ready for non-stop action! Build thrilling courses, send the marbles into motion and compete with family and friends through exciting challenges complete with sounds and lights. Please refer to the colour manual for detailed installation steps.

## INCLUDED IN THIS PACKAGE

- **Marble Rush™ Spiral City**
- 62 Components & 5 Marbles
- Quick Start Guide
- Colour Manual

## WARNING

All packing materials such as tape, plastic sheets, packaging locks, removable tags, cable ties, cords and packaging screws are not part of this toy and should be discarded for your child's safety.

## NOTE

Please save this Instruction Manual as it contains important information.

**WARNING:** Do not aim at eyes or face.

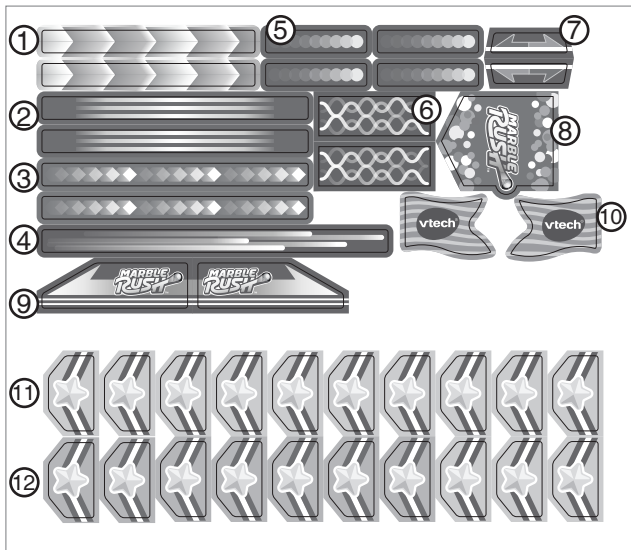
**WARNING:** Do not discharge any object other than the projectile provided with this toy.

### **WARNING:**

CHOKING HAZARD -Toy contains small parts and small balls.  
Not for children under 3yrs.

# LABEL APPLICATION

Please securely stick the labels to the play set as indicated below:



# CARE & MAINTENANCE

1. Keep the unit clean by wiping it with a slightly damp cloth.
2. Keep the unit out of direct sunlight and away from any direct heat sources.
3. Do not drop the unit on hard surfaces and do not expose the unit to moisture or water.

# CONSUMER SERVICES

Creating and developing **VTech®** products is accompanied by a responsibility that we at **VTech®** take very seriously. We make every effort to ensure the accuracy of the information, which forms the value of our products. However, errors sometimes can occur. It is important for you to know that we stand behind our products and encourage you to call our Consumer Services Department with any problems and/or suggestions that you might have. A service representative will be happy to help you.

## **UK Customers:**

Phone: 0330 678 0149 (from UK) or +44 330 678 0149 (outside UK)

Website: [www.vtech.co.uk/support](http://www.vtech.co.uk/support)

## **Australian Customers:**

Phone: 1800 862 155

Website: [support.vtech.com.au](http://support.vtech.com.au)

## **NZ Customers:**

Phone: 0800 400 785

Website: [support.vtech.com.au](http://support.vtech.com.au)

# PRODUCT WARRANTY/ CONSUMER GUARANTEES

## **UK Customers:**

Read our complete warranty policy online at [vtech.co.uk/warranty](http://vtech.co.uk/warranty).

## **Australian Customers:**

VTECH ELECTRONICS (AUSTRALIA) PTY LIMITED – CONSUMER  
GUARANTEES

Under the Australian Consumer Law, a number of consumer guarantees apply to goods and services supplied by VTech Electronics (Australia) Pty Limited. Please refer to [vtech.com.au/consumerguarantees](http://vtech.com.au/consumerguarantees) for further information.

**Visit our website for more  
information about our products,  
downloads, resources and more.**

***[www.vtech.co.uk](http://www.vtech.co.uk)***  
***[www.vtech.com.au](http://www.vtech.com.au)***



TM & © 2021 Vtech Holdings Limited.  
All rights reserved.  
Printed in China.  
IM-503600-002  
Version:0